





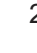


## 100M Single Port Dual Fiber PoE Media Converter 25.5W



-  Supply power to Cat5 Ethernet network surveillance cameras
-  Broadcasting filtration function, automatic recognizing and modifying address with store-and-forward operational mechanism
-  Ethernet 10base-T or 100Base-TX 100Base-FX fiber media transmission
-  Compatible with IEEE802.3at, IEEE802.3, IEEE802.3U, IEEE802.3X, IEEE 802.3z/AB, IEEE802.1d standard
-  The electrical interface port supports 100Mbps, 10Mbps; both ends can use different speed (full-duplex work bandwidth for line-speed 2XMbps)
-  Cache size for 512KB, address table size is 4KB
-  1x RJ45 port and 1x PoE port; each PoE port power is 25.5W

### Product Description

This 10/100M PoE media converter can be used between 10Base-T and 10Base-FL or 100Base-TX cable and 100Base-FX fiber cable for data transmission. It provides stand-alone RJ-45 electrical interface port and supply power to others, and can automatically cross connection with switch and hub network. And feature with link loss diagnosis, electrical port link diagnosis and optical port link diagnosis, dynamic data transmission, full-duplex/half-duplex, speed indicator. Also it can be realized the interconnection between motherboard servers, Repeaters, hubs, switches terminal.

Plug and play design makes easy installation, no on-site adjustment, all the light, electrical interface port is in line with international standards. It can extend the network transmission up to 25km. This dual fiber PoE media converter is suitable for Bad industrial environment or high requirements for lightning protection, intelligent transportation supervisory system (ITS) and safe city, High-speed way supervisory/Tele-communication system, IP network camera, security surveillance system for large corporations, multi-function network system.

## 100M Single Port Dual Fiber PoE Media Converter 25.5W

### Technical Specification

Product Name	100M Single Port Dual Fiber PoE Media Converter 25.5W
Product Model	KRN-SW-MCHP-0011
Interface	1x copper cable RJ45 port +1x PoE port
Transmission Distance	25km
Fiber Description	dual fiber
Protocol	IEEE 802.3i IEEE 802.3u IEEE 802.3x Flow Control IEEE 802.1af DTE Power via MDI IEEE 802.3at
LED Indicator	System, Data Link, PoE working status, Rate Status, Full duplex/half duplex
Power Supply	Total power: 25.5W;External power supply
Dimension	Dimension: 116x99x25.5mm
Working Environment	Working Temperature:0°~ 55°C Storage Temperature: -20°~ 75°C Working Humidity: 10%~90%, non-condensing Storage Humidity: 10%~95%, non-condensing Operational Altitude: 3000m (10,000ft) Storage Altitude: 3000m (10,000ft)
Radiation	CE mark, commercial;FCC Part 15 Class B;VCCI Class B; EN 55022 (CISPR 22), Class B
Safety	CE mark, commercial; CE/LVD EN60950, RoHS
Warranty	2 year warranty ( 2 years warranty for power adapter)

### Product Ordering Information

**Product Model:** KRN-SW-MCHP-0011

**Product Description:** Single port 10/100M dual fiber Ethernet PoE media converter. Compatible with IEEE802.3at standard (25.5W); power input is AC110V~260V, external power supply (can be customized different power sockets for different countries)

**Order Note:** Default PoE power supply is end-span (1/2,3/6 line pair), mid-span(4/5, 7/8 line pair) PoE Power supply can be customized

### Product Packing Lists

Package List	Dual Fiber PoE Media Converter KRN-SW-MCHP-0011
	Power Adapter
	User Guide
	Warranty Card