

Managed PoE Switch with Eight 10/100M Ports and Two Gigabit Combo Ports



- ✿ Supply power to Cat5 network surveillance cameras(PoE)
- ✿ 8x 10/100 Mbps auto-sensing RJ45 ports; 2x gigabit optical electronic combo ports
- ✿ Supports port auto-flip (Auto MDI/ MDIX)
- ✿ Adopts store-and-forward architecture, 192K forward memory
- ✿ Maximum power per port: 15.4W, Total PoE power: 150W
- ✿ Network port has lightning-proof function (AC power port: differential mode +/-2kV, common mode +/-4kV)
- ✿ All ports support wire-speed switching, frame size within the range of 64 to 1536 can achieve wire-speed
- ✿ Compatible with IEEE 802.3; IEEE 802.3u; IEEE 802.3ab; IEEE 802.3x Flow Control; IEEE 802.1af standards
- ✿ Wall-mounted design, easy to install and use

Product Description

This KRN-SW-SMP-0820 switch provides a network point for power supply and data transmission. All the 8 Ethernet ports can be connected with 10/100Mps quickly, and the uplink port is 1.25Gbps fiber interface, among which 1-8 ports can provide standard IEEE 8023af power supply. Due the advanced self-sensing algorithm supply power for IEEE802.3af terminal unit only, there is no need to worry about damaging proprietary PoE or non-PoE standard equipment. In addition, it will stop power supply when PoE devices are not connected. In short, The KRN-SW-SMP-0820 features simple and reliable design, automatic identification PoE requirements, duplex and high-speed.

This cost-effective KRN-SW-SMP-0820 provides network layout need to simplify wireless access point (AP) and IP-based surveillance cameras network cameras in order to install in commercial network and home network. The devices far away from power socket are very suitable for hanging on the wall or ceiling. PoE eliminates the need for connecting these devices to power socket. So it make more flexible for those difficult to connect with AC power socket, and cut down the installation cost. It is ideal choice for those want to deploy a small commercial network and home network that use wireless access point (AP) and IP-based surveillance cameras.

Managed PoE Switch with Eight 10/100M Ports and Two Gigabit Combo Ports

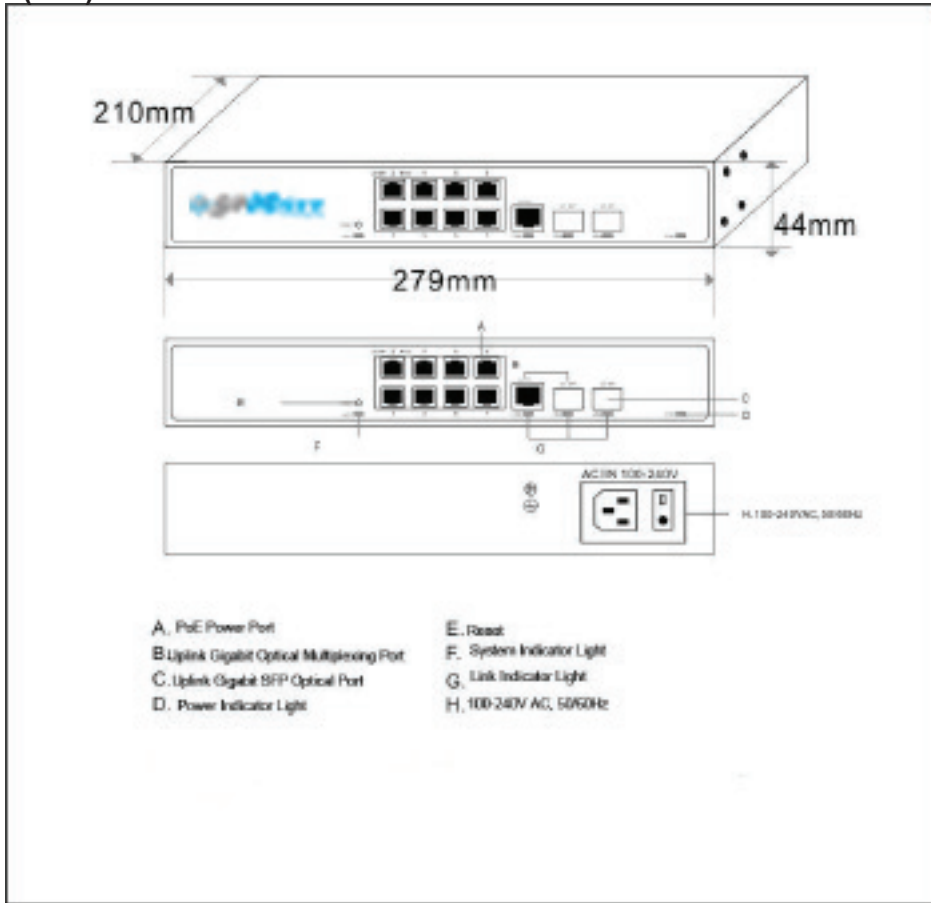
Technical Specification

Product Name	Managed PoE Switch with 8 PoE Ports + 2 Gigabit Combo Ports
Product Model	KRN-SW-SMP-0820
Connector	8x 10/100M Ethernet ports; 2x gigabit optical electronic combo ports
Transfer Mode	Store-And-Forward, 192K forward memory
Network Medium	10BASE-T: Cat3,4,5 UTP(≤ 100 meter) 100BASE-TX: Cat5 or more UTP(≤ 100 meter)
	Single mode(9/125um) optical transmission, transmission distance: 25km (double optical default, single optical alternative)
Performance Specifications	Bandwidth: 8.8Gbps (non-blocking) Network Latency (100 to 100M bps): maximum delay less than 20 microseconds Packet Buffer Memory: 96KB Address Database Size: 1,000 MTBF: 190,000 hours (about 21 years)
Network Protocols and Standards	IEEE 802.3i 10BASET IEEE 802.3u 100BASETX IEEE 802.3x Flow Control IEEE 802.1af DTE Power via MDI IEEE 802.3af
LEDs Status	System: power supply Every Port: connecting status, PoE working status
Power	Maximum PoE switch power:150 W PoE port power:15.4 W(1~8 port) Power input: AC100-240V 50/60Hz; (every country use a custom power plug)
Dimensions/Weight	Dimensions: 279x210x44mm
Working Environment	Operating Temperature: 0 ° ~ 55 ° C Storage Temperature: -20 ° ~ 75 ° C Humidity: 10% ~ 90%, non-condensing Storage Humidity: 10% ~ 95%, non-condensing Working Altitude: 3000 m (10,000 ft) Storage Altitude: 3,000 m (10,000 ft)
Radiation	CE mark, commercial FCC Part 15 Class B VCCI Class B EN 55022 (CISPR 22), Class B
Safety	CE Mark ,commercial CE/LVD EN60950, RoHS
Warranty	2 year warranty(2 yeas warranty for power adapter)

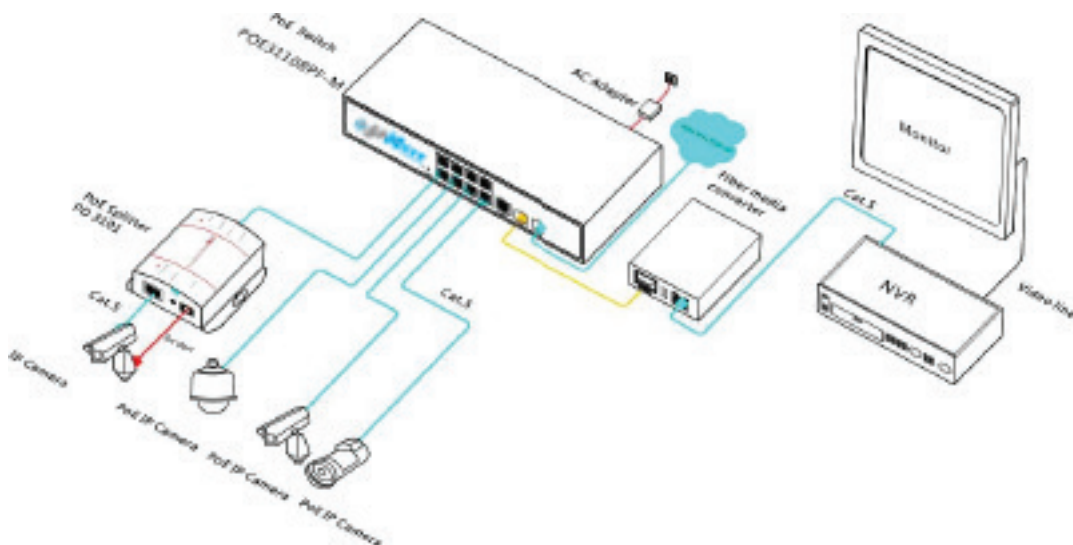
Managed PoE Switch with Eight 10/100M Ports and Two Gigabit Combo Ports

Product Dimension Display

WxHxD (mm): 279 x 210 x44mm



Product Application Display



Managed PoE Switch with Eight 10/100M Ports and Two Gigabit Combo Ports

Product Ordering Information

Product Model: KRN-SW-SMP-0820

Product Description: Eight 10/100M PoE ports + 2x Gigabit optical combo ports PoE switch, and 1-8 ports support POE IEEE 802.3af international standard, each port power is 15.4W, the whole power is 150W(not included fiber module)

Ordering Notes: Default PoE power supply is end-span (1/2, 3/6 line pair), can be customized the mid-span (4/5, 7/8 line pair)

Product Packing Lists

Packing Lists	Managed PoE Switch with 8x PoE Ports and 2 Gigabit Combo Ports (KRN-SW-SMP-0820)
	Power Adapter
	User Guide
	Warranty Card